



Pn 100-0104-XX

4K modular LRU with video in, video out add-on modules, supporting USB-C video and USB charging

Fiber: SDI In, SDI Out, and Ethernet are interfaced with the LRU. Additional SCB or compatible monitor can be daisy chained.

Ethernet Port: Copper Ethernet port available for connecting to external devices.

Analog Audio Output: This is used for connecting a headphone panel to the SCB. The audio for this is fed from the AVDS to the SCB via the fiber (Ethernet channel).

USB-C (High Power) Charging: Able to charge USB-C devices up to 60W. The maximum output of this port can be configured. When the Video Input module is added, this port can also accept USB-C Alt Mode video.

USB-C/A (Low Power) Charging: This port is able to charge USB-C/A devices at 15W.

Video Input Module:

- USB-C Alt Mode Video: internal circuitry on this module allows the USB-C (High Power) port to also accept video input.
- 4Kp60 HDMI Input: This input allows for HDMI devices to be connected to the system as inputs.
- SDI Input: This input allows for SDI signals to be brought into the system via copper SDI.

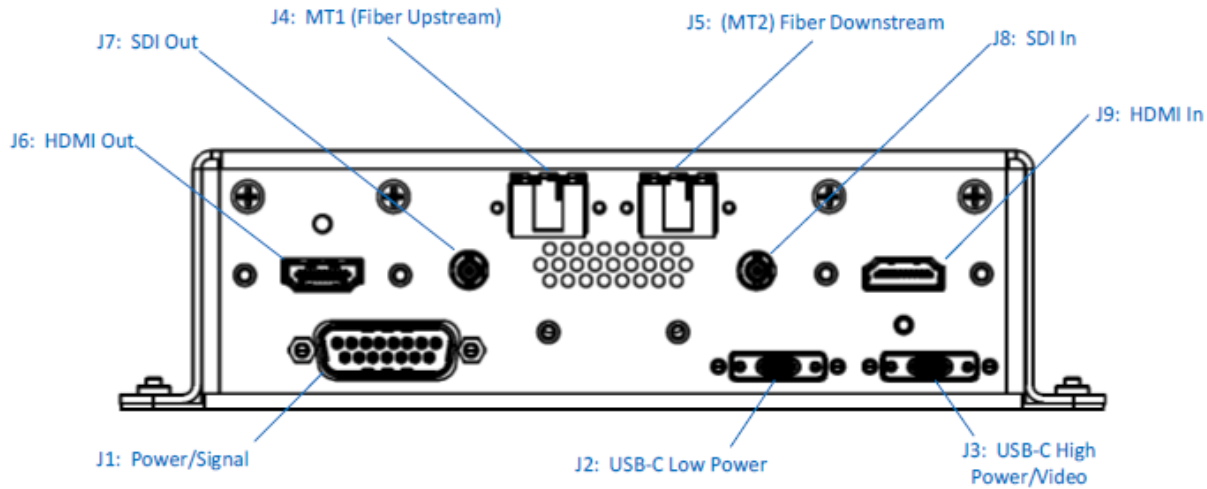
Video Output Module:

- 4Kp60 HDMI Output: This output is used to connect to HDMI outputs such as displays or VR type devices.
- SDI Output: This output allows for SDI signals to be sent out from the system via copper SDI. Used for connecting legacy type monitors.

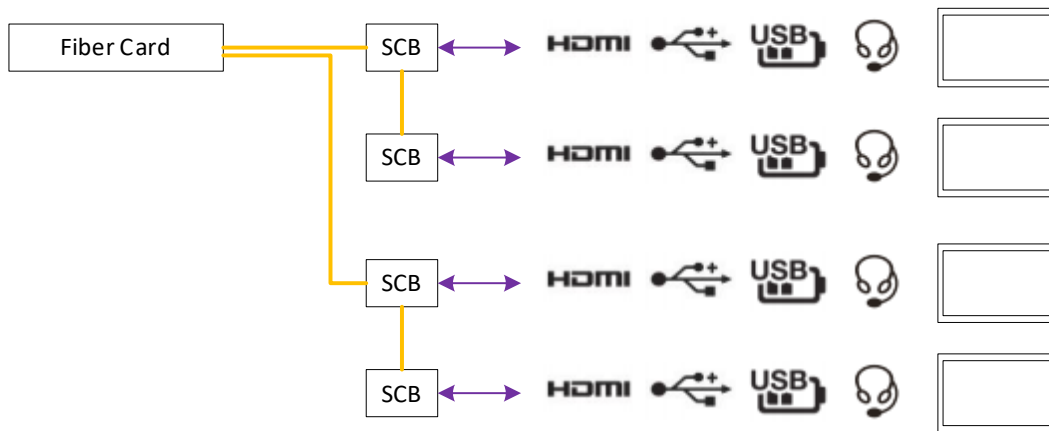
KEY BENEFITS

- Fiber to Monitor
- 4K USB-C Video and charging
- 4K HDMI in/out
- Analog Audio Output
- Copper SDI output for legacy monitors

SCB Electrical Interfaces



SCB's Connected to AVDS



DIMENSIONS	
Height	2.07 in. (52.5 mm)
Width	7.62 in. (193.6 mm)
Depth	4.01 in. (101.8 mm)
Weight	1.96 lb (nominal)
Power	4.3A @ 28VDC (nominal)

SIGNALS SUPPORTED	
3G/HD/SD-SDI	4Kp60 (SMPTE RDD35)1080p60, 1080i30, 720p60, 576i25, 480i30, SMPTE 424M, SMPTE 292M, 259M-C
HDMI™ / DVI-D	HDMI™ version 2.0 w/HDCP 2.2 and version 1.4 w/HDCP 1.4 4K60 w/ HDR, 1080i25/30, 720p50/60, 576i25, 480i30
100 Mbps Ethernet	1

Innovative Advantage
15333 NE 90th Street, Ste 150
Redmond, WA 98052

+1.800.650.2738
sales@in-advantage.com
in-advantage.com

20201112